

Vitra - Hinge for glass doors



Description

The maximum hinge opening is 150°.

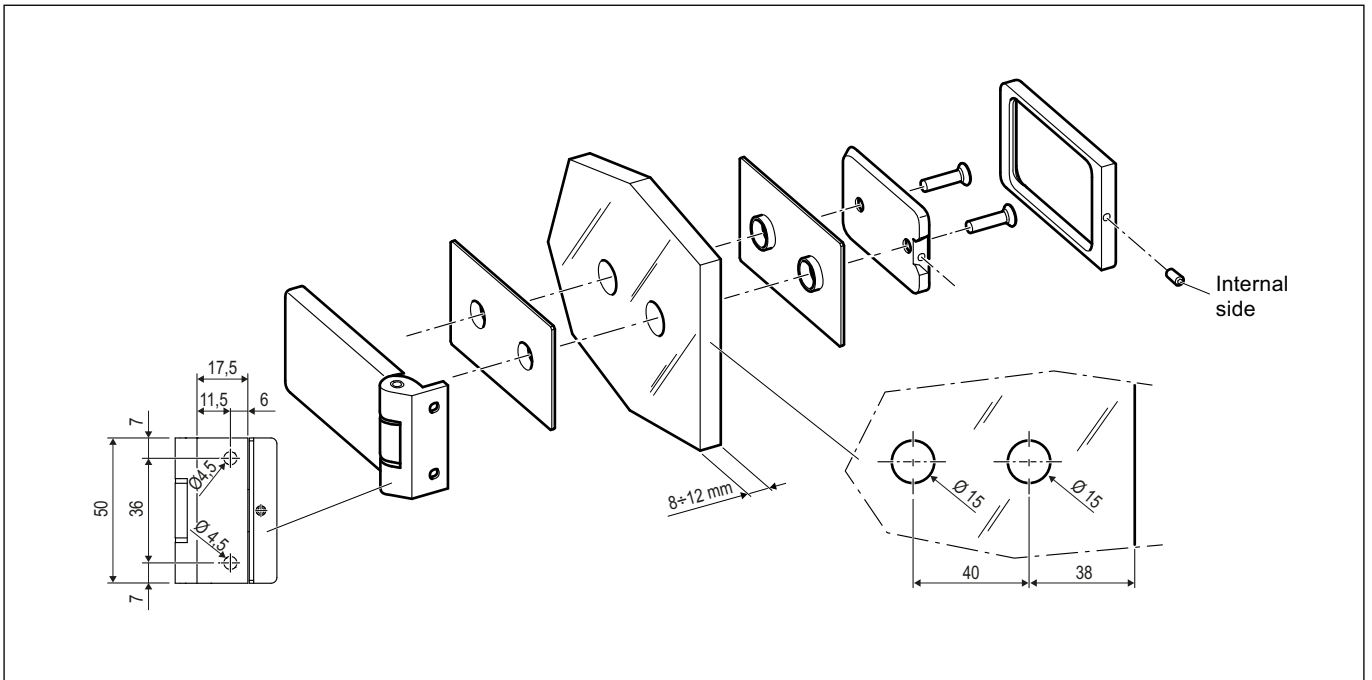
Fastening

Follow the sequence indicated in the drawing.

Capacity

100 kg capacity with 2 hinges for a sash in glass (thickness 8+12 mm) of 1000 mm max. width and 2500 mm height, with aluminium frame and fastening with metric screws M4.

For frames in other materials, please follow the instructions of screw producer according to the type of support.



Order Specifications

Material	Article
Anodized silver	E50100.00.01
Chromium plated	E50100.00.30

Note. Refer to the price list in force to check the availability of the finishes.